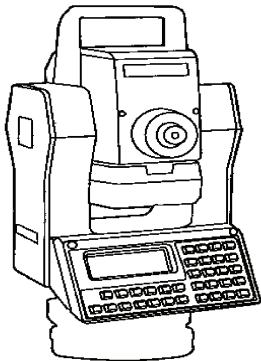

Automated Integrated Surveying Instrument (AISI) Maintenance



PURPOSE: This graphic training aid (GTA) discusses operator maintenance for the AISI. Operator maintenance is limited to inspecting and cleaning the exposed controls, lenses, and housing unit. This information is based on Technical Manual (TM) 5-6675-332-10. Any deficiencies requiring repair, disassembly, or lubrication of the instrument or accessories will be noted on Department of the Army (DA) Form 2404 (Equipment Inspection and Maintenance Worksheet) and reported to organizational maintenance.

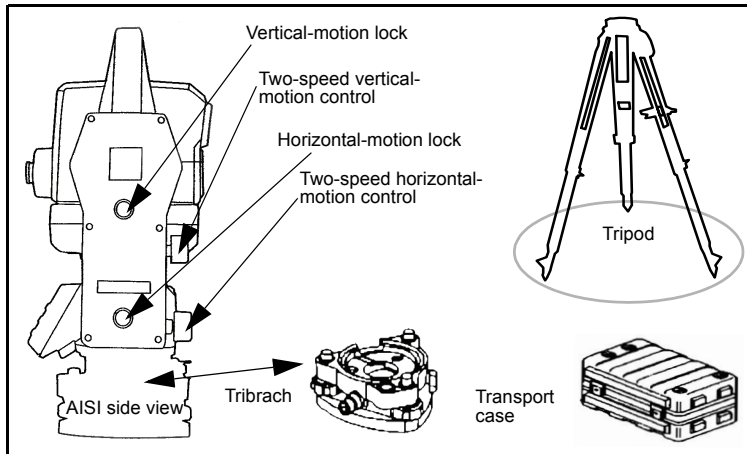
The proponent for this publication is the United States Army Training and Doctrine Command (TRADOC). Send comments and recommendations on DA Form 2028 (Recommended Changes to Publications and Blank Forms) to Commandant, United States Army Engineer School, ATTN: ATSE-DT, Individual Training Division, 320 MANSCEN Loop, Fort Leonard Wood, Missouri 65473-8929.

**Headquarters, Department of the Army
15 December 2005**

DISTRIBUTION: United States Army training support centers (TSCs).

DISTRIBUTION RESTRICTION: Approved for public release; distribution is unlimited.

*This publication supersedes GTA 5-2-25, 1 February 2001.



Item Description	Procedure
Exterior AISI	<ol style="list-style-type: none"> 1. Inventory all components. 2. Wipe dirt and dust from all components with a dry cloth. 3. Inspect the exterior of the AISI for damage, cracks, sand, or dust. 4. Clean the lens and reflectors using a lens cleaning tissue. 5. Set up the AISI and install a good internal battery. 6. Turn on the AISI, and verify that it operates.
Vertical-motion lock	Ensure that the lock rotates freely and functions properly.
Horizontal-motion lock	Ensure that the lock rotates freely and functions properly.
Two-speed vertical-motion control	Ensure that the control knob rotates freely and functions properly.
Two-speed horizontal-motion control	Ensure that the control knob rotates freely and functions properly.
Tribrach	Inspect the tribrach and the tribrach leveling screws for damage.
Tripod	<ol style="list-style-type: none"> 1. Inspect the tripod, bayonet screws, and all other screws and nuts for damage. 2. Clean as required.
Transport case	<ol style="list-style-type: none"> 1. Open the cover, and remove the AISI and accessories from the case. 2. Turn the case over, and shake out any loose dust or dirt. 3. Check the exterior surface for cleanliness, dents, scratches, or other damage. 4. Clean as required. 5. Verify that the case contains a desiccant.